

Toilet Roll Holder f/Grab Bar

Knud Holscher Collection

d line

PRODUCT DATA SHEET

ITEM NUMBER 14.7556.02.007
SURFACE Satin Stainless Steel

PRODUCT Toilet Roll Holder f/Grab Bar foldable without pin

PICTURE



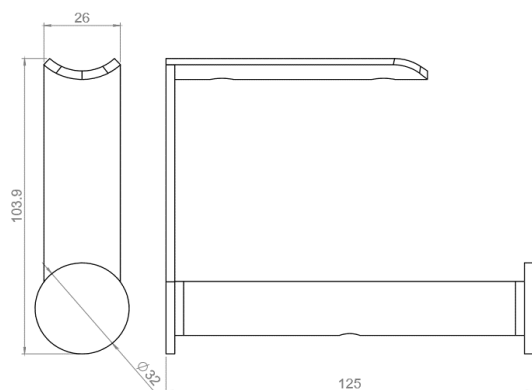
TENDER TEXT

Toilet Roll Holder f/Grab Bar. Outstanding classic danish design by Knud Holscher. Material: stainless steel AISI 316 satin finish, without pin. W:32 mm x H:103.9 mm x D:125 mm

PRODUCT SPECIFICATION

Dimensions: W:32 mm x H:103.9 mm x D:125 mm
Material: stainless steel AISI 316, rubber
Surface finish: satin grain 320, crafted by hand
Warranty for stainless steel (non movable) parts - 20 years

DRAWING

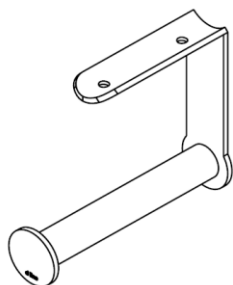


SPARE PARTS / ACCESSORIES:

MOUNTING:
Mounting instruction enclosed with product

PACKING:
1pcs per box

ISO-DRAWING



PRODUCT CARE

d line products are produced in the highest quality stainless steel, marine grade, AISI 316. To sustain the unique d line finish appearance please follow the below instructions:

- Wash down the surfaces using soapy water or mild detergent
- Always thoroughly rinse off with clean water
- To complete the cleaning procedure dry/polish the surfaces with a soft dry cloth

Please do not use scouring powder, steel wool, chloride based detergents or other aggressive cleaning products as these may damage the surface.

If spots or corrosion appear on the surface it is not due to the stainless steel quality, but to impurities in the environment, aggressive conditions or improper or insufficient cleaning.